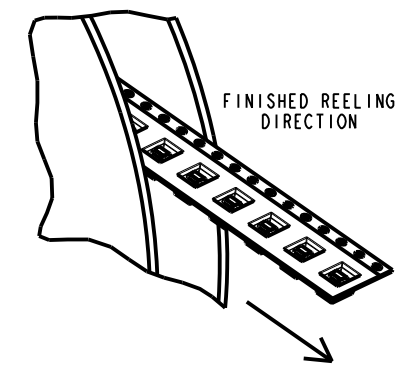
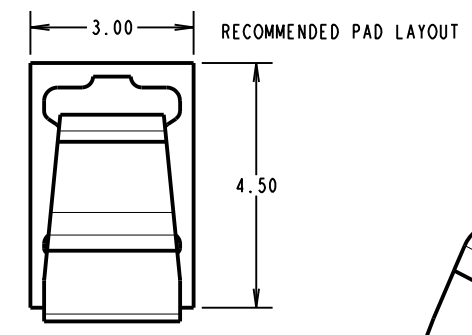
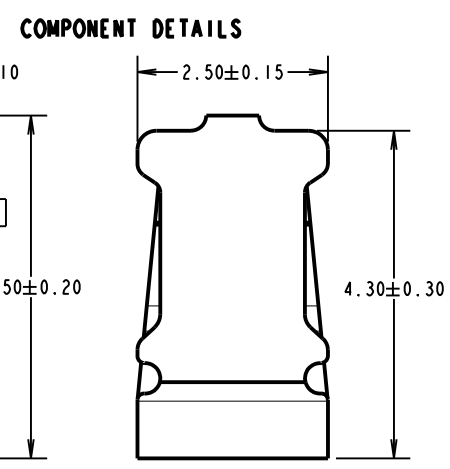
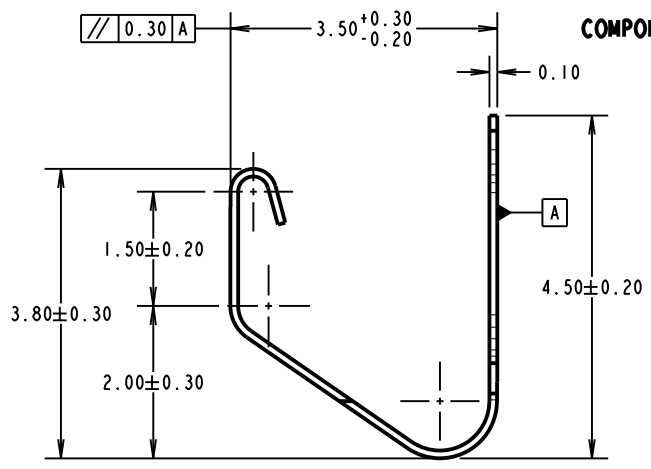
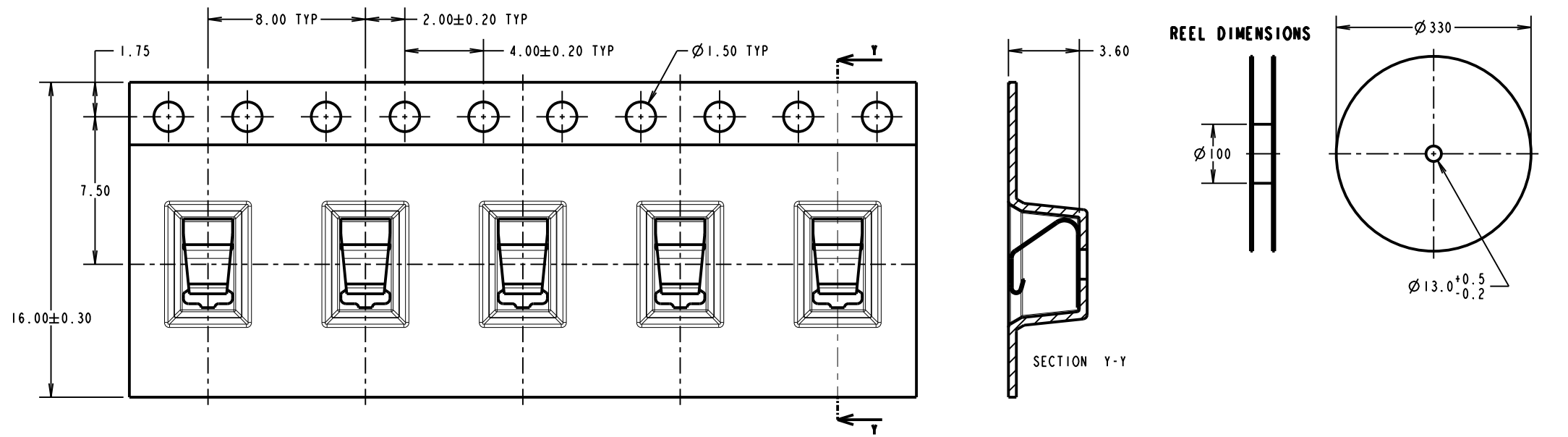


2901-07 - 3.5mm high Spring Contact (Tin)

Drawing Number: 14474 All dimensions in mm Need to scale Third angle protection



COMPONENT SPECIFICATION:
 MATERIAL = TITANIUM COPPER ALLOY,
 RECOMMENDED WORKING HEIGHT = 2.50mm / MIN FORCE = 1.5N
 MINIMUM WORKING HEIGHT = 1.75mm / MAX FORCE = 8.5N
ELECTRICAL:
 CURRENT RATING = 4A
MECHANICAL:
 DURABILITY = 1500 CYCLES
ENVIRONMENTAL:
 OPERATING TEMPERATURE = -55°C TO +125°C

NOTES:
 1. QUANTITY PER REEL = 2000.

	20-06-2016	14474
	Date	Number
Approved: Arend Langendam		
Drawing: Christian van Vugt		
Customer reference:		
Assembly DRG:		

Holland Shielding Systems BV

Holland Shielding Systems BV
 Jacobus lipsweg 124
 3316BP Dordrecht
 the Netherlands

E-mail: info@hollandshielding.com
 Phone: +31(0)78-2049000
 Fax: +31(0)78-2049008

Tolerances x. = -1mm xx = -0.25mm xxx = -0.10mm xxxx = -0.01mm Angles = -5° Unless stated	Material: See above	Title: 2901-07 - 3.5mm high Spring Contact (Tin) Technical Drawing
	Finish: See above	Drawing: 2901-07 - 3.5mm
	S/Area: mm ²	