

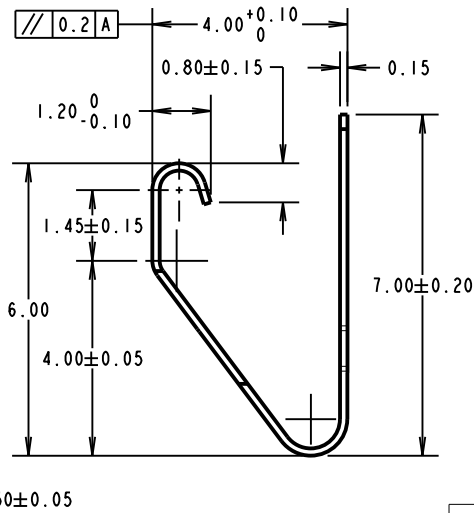
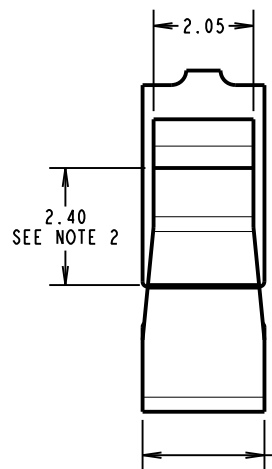
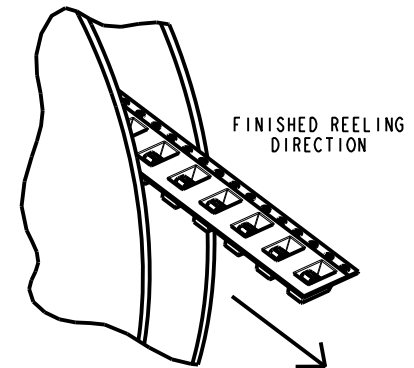
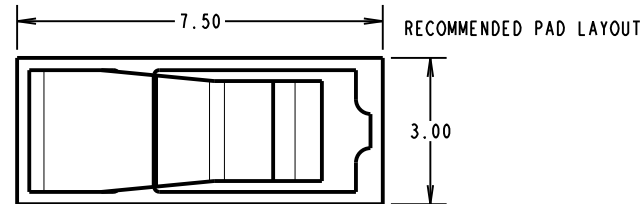
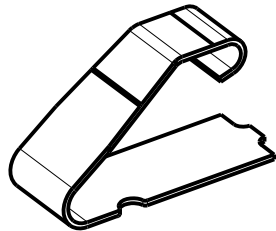
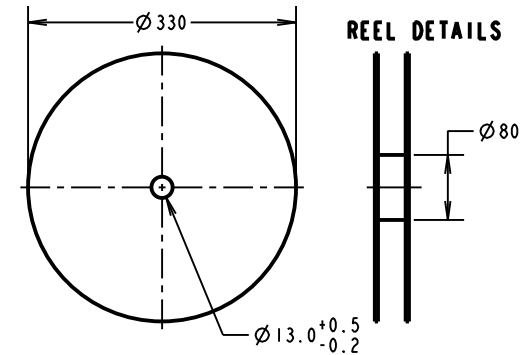
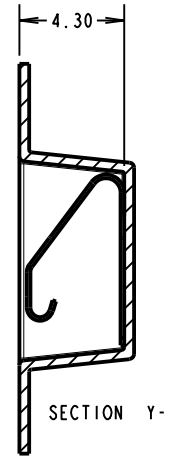
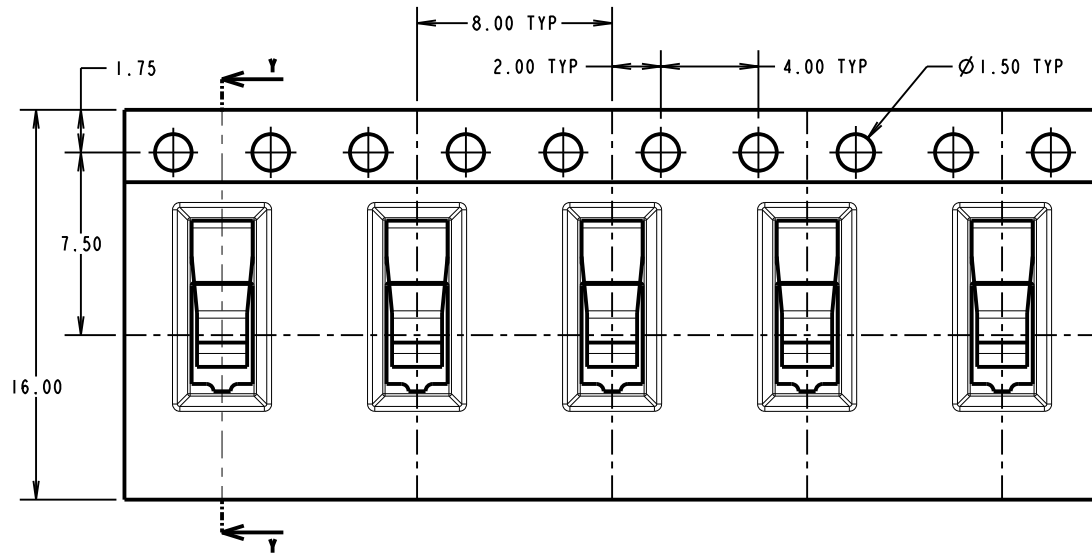
2901-09 - 4.0mm high Spring Contact

Drawing Number: 14476

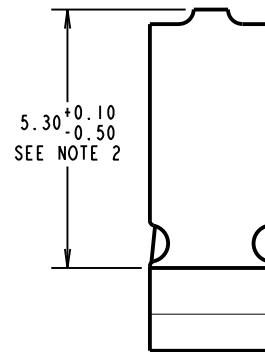
All dimensions in mm

Need to scale

Third angle protection




COMPONENT DETAILS



- NOTES:
 1. QUANTITY PER REEL = 2000.
 2. GOLD PLATED AREA.

COMPONENT SPECIFICATION:
 MATERIAL = TITANIUM COPPER ALLOY,
 0.15 ± 0.01 mm THICK
 FINISH = 0.76 μ - 1.27 μ NICKEL, 0.05 μ MIN GOLD FLASH
 ON CONTACT AND FOOT AREA.
 RECOMMENDED WORKING HEIGHT = 3.00 mm / MIN FORCE = 1.0 N
 MINIMUM WORKING HEIGHT = 2.00 mm / MAX FORCE = 4.0 N
 ELECTRICAL:
 CURRENT RATING = 3 A
 MECHANICAL:
 DURABILITY = 1500 CYCLES
 ENVIRONMENTAL:
 OPERATING TEMPERATURE = -55°C TO +125°C

	20-06-2016	14476
	Date	Number
Approved: Arend Langendam		
Drawing: Christian van Vugt		
Customer reference:		
Assembly DRG:		


Holland Shielding Systems BV

Holland Shielding Systems BV
 Jacobus lipsweg 124
 3316BP Dordrecht
 the Netherlands

E-mail: info@hollandshielding.com
 Phone: +31(0)78-2049000
 Fax: +31(0)78-2049008

Tolerances
 x. = -1mm
 xx. = -0.25mm
 xxx. = -0.10mm
 xxxx. = -0.01mm
 Angles = -5°
 Unless stated

Material: See above
 Finish: See above
 S/Area: mm²

Title:
 2901-09 - 4.0mm high Spring Contact Technical Drawing
 Drawing:
 2901-09 - 4.0mm